

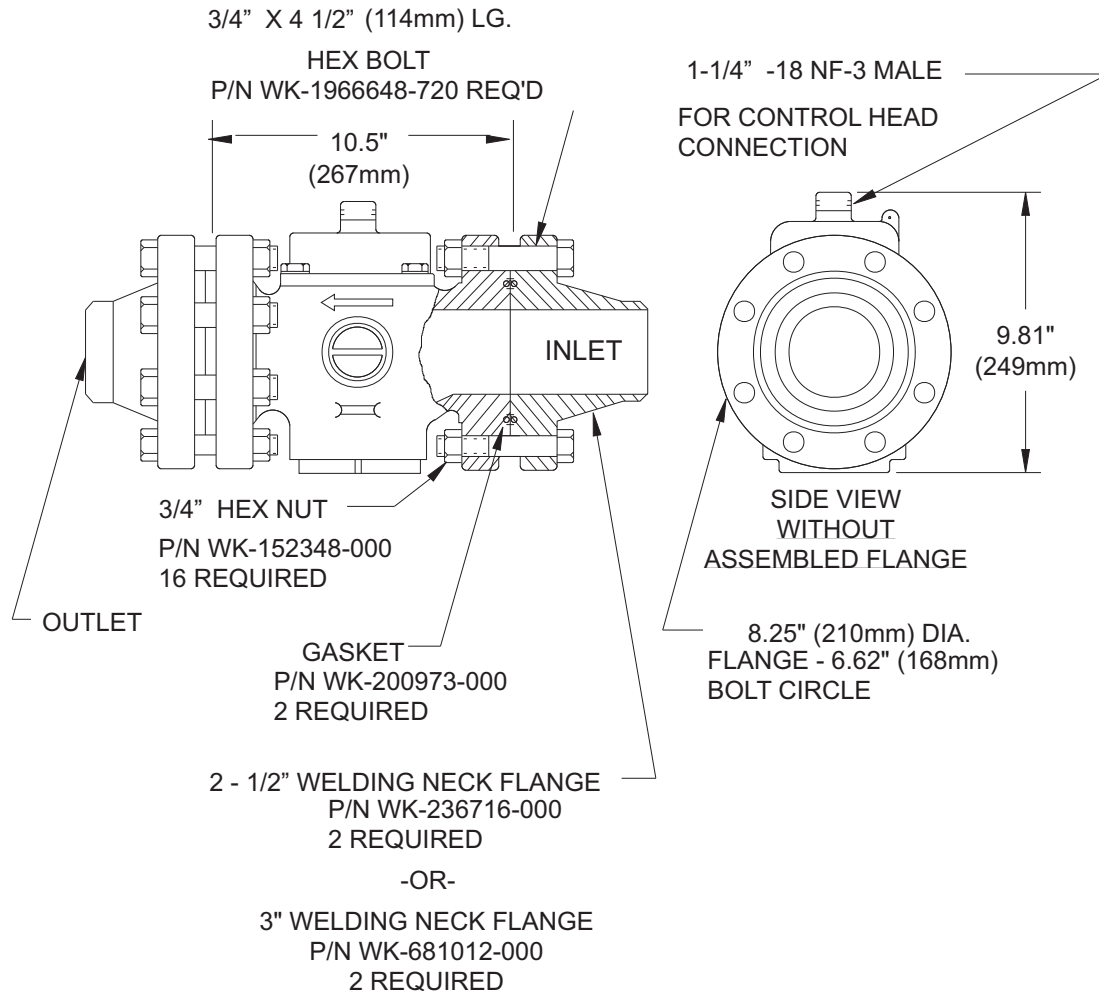
Kidde Fire Systems HPCO2 Component Description



Stop (Directional) Valves, 3-inch

Effective: April 2022
K-81-5140 Rev AD

P/N: 81-890010-000



Note: Install valve with arrow pointing in direction of flow.

MATERIALS:

- Valve Body: Brass
- Gasket: Iron
- Flanges, Bolts, & Nuts: Steel

SPECIFICATIONS

- Operating Pressure (@70°F): 850 psi (58 BAR)
- Test Pressure: 2250 psi (155 BAR)
- Burst Pressure: 6000 psi (413 BAR)

EXPORT INFORMATION (USA)

Jurisdiction: EAR
Classification: EAR99
This document contains technical data subject to the EAR.
All trademarks are the property of their respective owners.
©2022 Carrier

This literature is provided for informational purposes only. KIDDE-FENWAL, INC. believes this data to be accurate, but it is published and presented without any guarantee or warranty whatsoever. KIDDE-FENWAL, INC. assumes no responsibility for the product's suitability for a particular application. The fire suppression system design, installation, maintenance, service and troubleshooting must be performed by trained, authorized Kidde Fire Systems distributors for the product to work correctly. If you need more information on this product, or if you have a particular problem or question, contact KIDDE-FENWAL, INC., Ashland, MA 01721 USA. Telephone: (508) 881-2000.

Kidde Fire Systems
400 Main Street
Ashland, MA 01721
Ph: 508.881.2000
Fax: 508.881.8920
kiddefiresystems.com